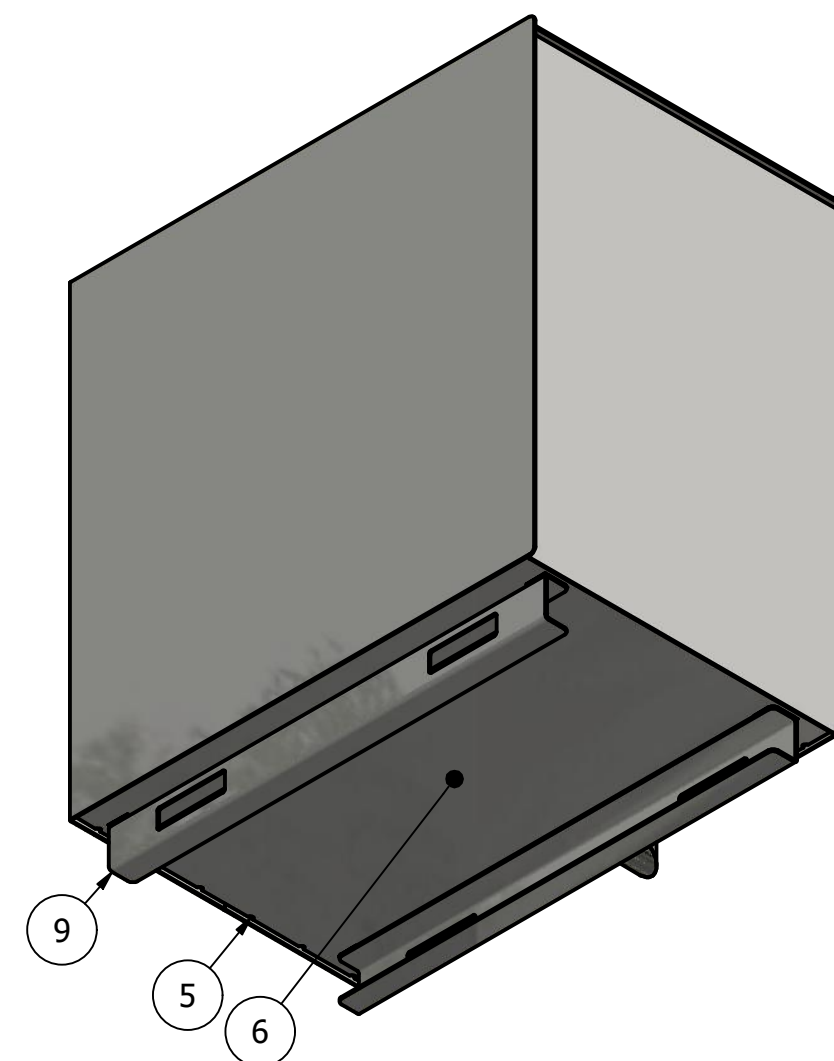
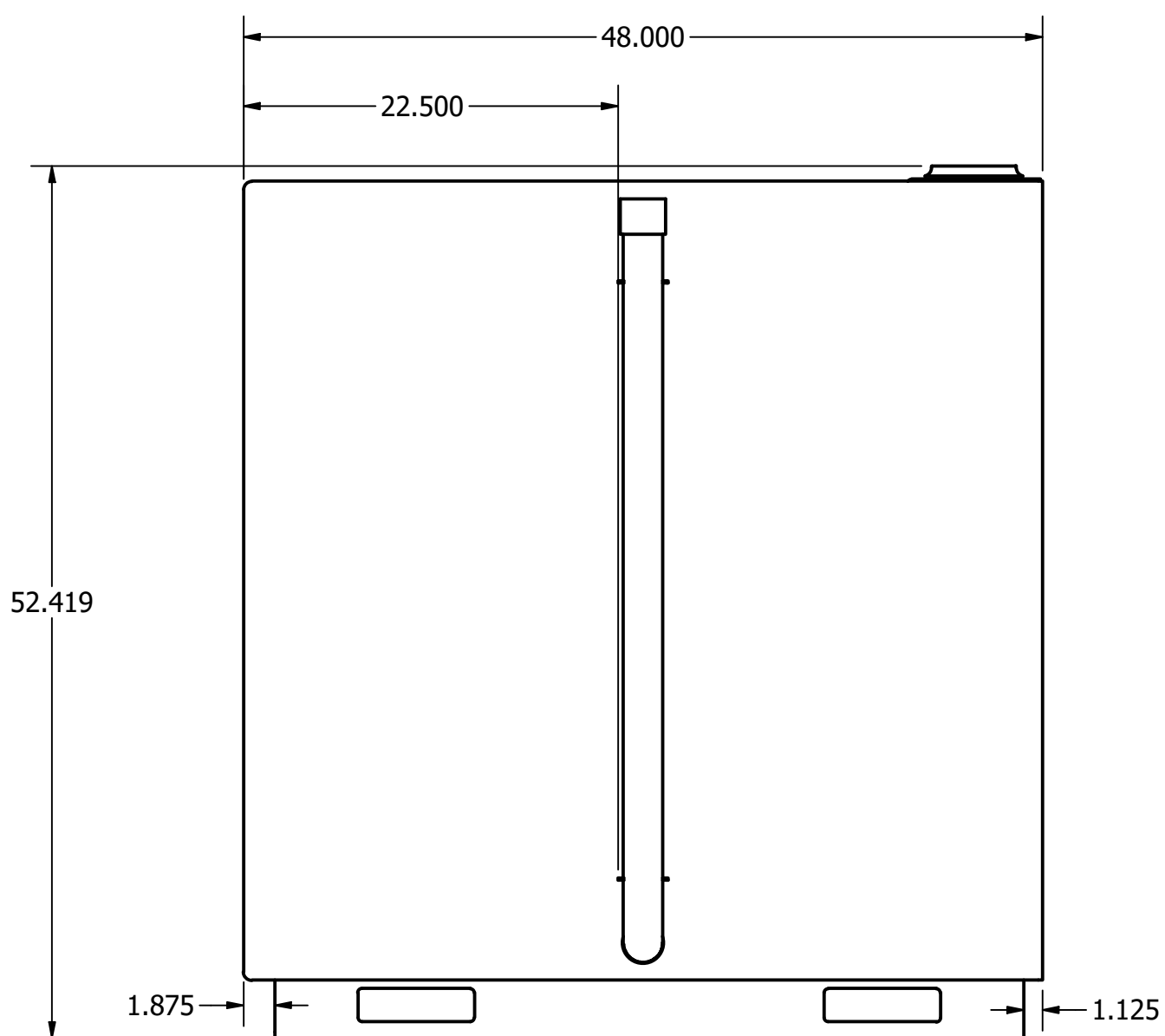
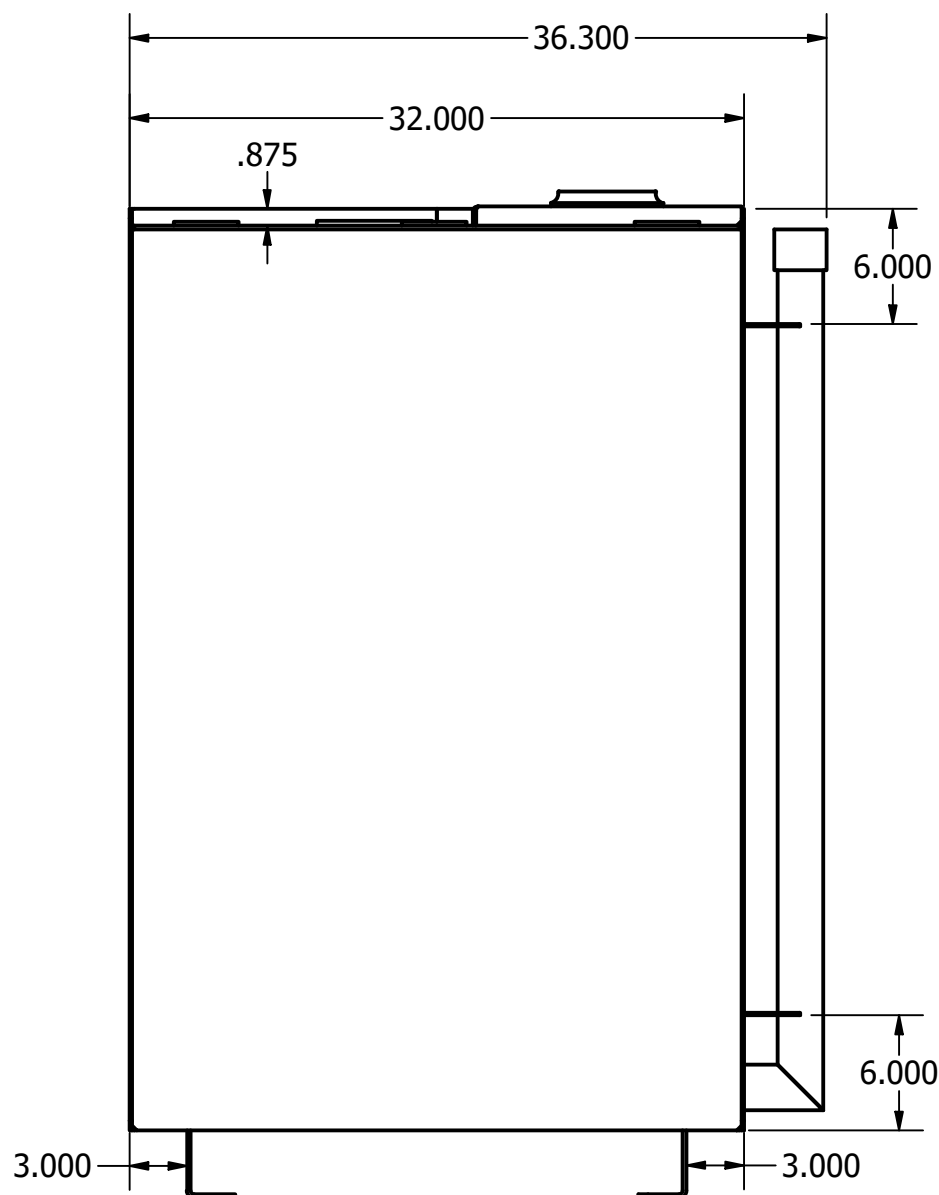
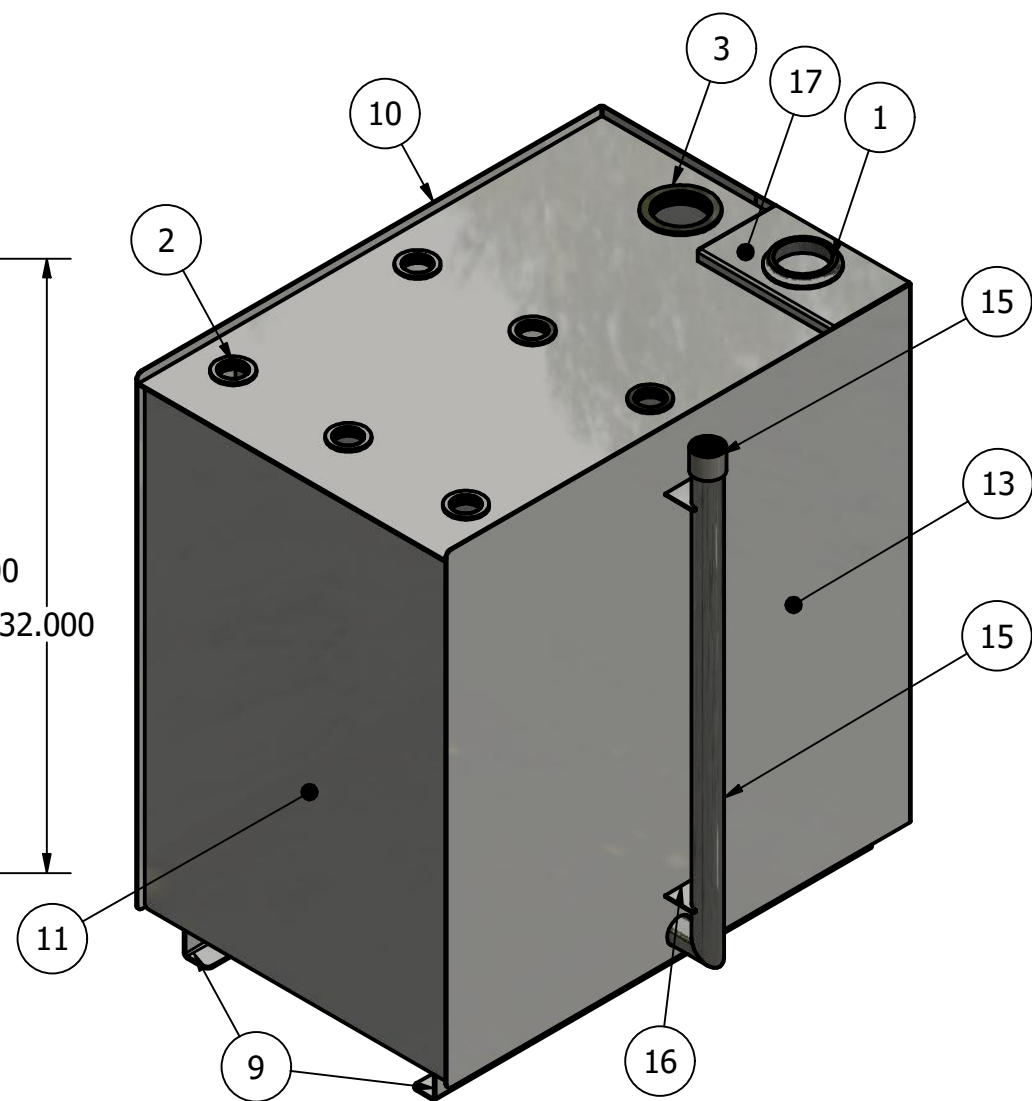
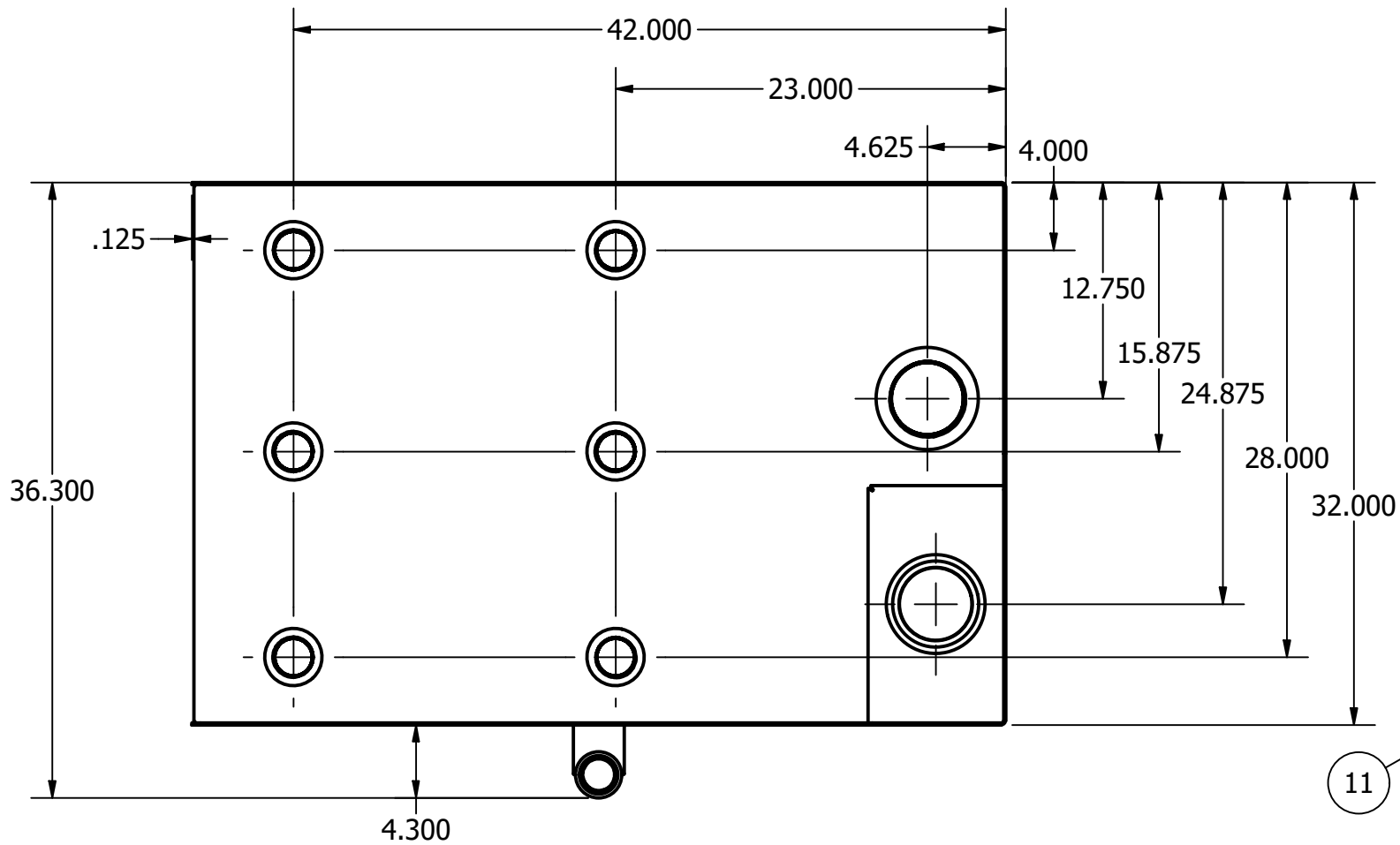


PARTS LIST			
ITEM	QTY	PART NUMBER	DESCRIPTION
1	1	BUNG FORGED 4.00	4" NPT WELD FLANGE BUNG FORGED FDF400
2	6	Bung Forged Invert 2.00 NPT	2" INVERTED FORGED STEEL
3	1	Bung Forged Invert 4.00 NPT	4" INVERTED FORGED STEEL
4	1	DW300H-11	INNER LEFT & BACK SIDE
5	1	DW300H-12	INNER BOTTOM
6	1	DW300H-13	OUTER BOTTOM
7	1	DW300H-14	INNER FRONT
8	1	DW300H-15	TOP
9	2	DW300H-16	TANK SUPPORT
10	1	DW300H-17	OUTER LEFT & BACK SIDE
11	1	DW300H-18	OUTER FRONT
12	3	DW300H-19	INTERNAL TANK SUPPORT
13	1	DW300H-20	OUTER RIGHT & BACK SIDE
14	1	DW300H-21	INNER RIGHT & BACK SIDE
15	1	LG-45.75	45 3/4" Leak Pipe/ 44 1/2" Leak Gauge
16	2	R0158	LEAK PIPE BRACE
17	1	R0252	DW250 SEC VENT BRKT.
18	2	R0282	BACKING PLATE 46.1875 INCHES



BREAK EDGES .01 ± .005 UNLESS OTHERWISE SPECIFIED MUST BE FREE OF BURRS WHICH MAY BE DETRIMENTAL TO SATISFACTORY ASSEMBLY, SAFE HANDLING, OR FUNCTION.	
SURFACE SPECS.	AS NOTED
HEAT TREAT SPECS.	AS NOTED
GRIND SPECS.	AS NOTED

MATERIAL DESCRIPTION: DW300H COMPLETE BOM
"This drawing is the property of Steinhaus Brothers Incorporated / SBI mfg and is loaned to the recipient for his confidential use only. In consideration of the loan of this drawing, the recipient promises and agrees that it shall not be used in any way detrimental to the interest of Steinhaus Brothers Incorporated / SBI mfg. That it shall be returned upon request, and that it shall not be reproduced, copied, loaned, or otherwise disposed of, directly or indirectly without the express written consent of Steinhaus Brothers Incorporated / SBI mfg."

FINISH UNLESS OTHERWISE NOTED: STOCK		
MACHINING (in)	MACHINING (in)	FABRICATION (in)
0 - 5 ± 0.005	ANGLES ± 0.25°	0 - 5 ± 0.08
5 - 10 ± 0.02		5 - 100 ± 0.1
10 - 50 ± 0.04		over 100 ± 0.2
over 50 ± 0.06		

SBI MANUFACTURING 47061 Phillip street Sioux Falls, SD 57108 (605)-368-2340		
PART NO./DESCRIPTION DW300H		
SUBASSEMBLY NO./DESCRIPTION DOUBLE WALL 300 GAL H SERIES TANK		
DATE 3/10/2020	DRAWN Matt K.	CHECKED
PRINT NO.	DW300H	SCALE: 1/10