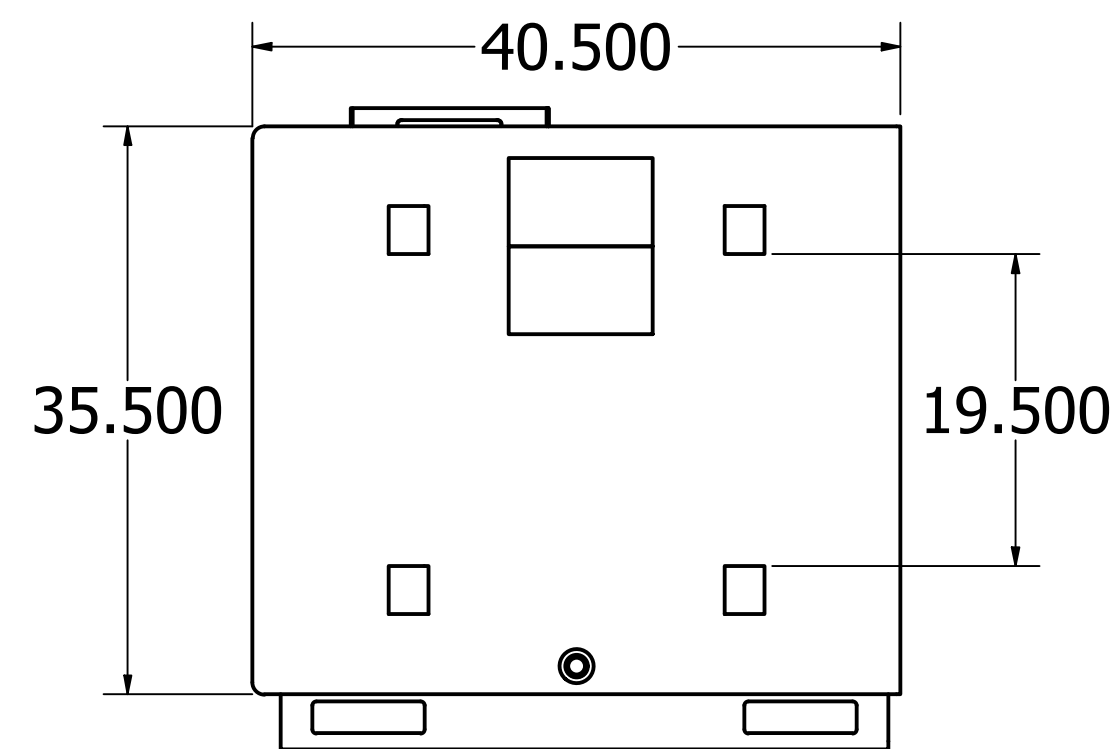
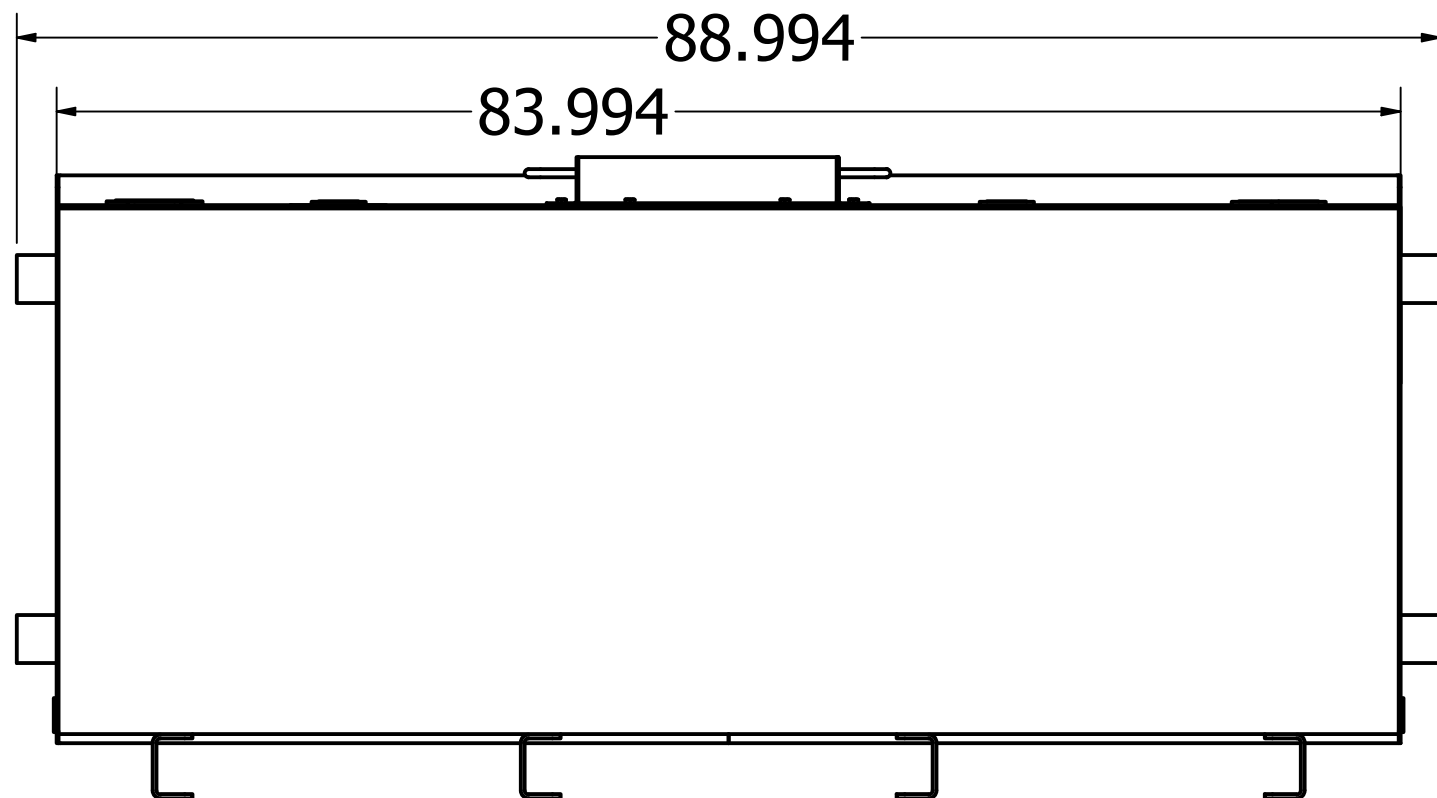
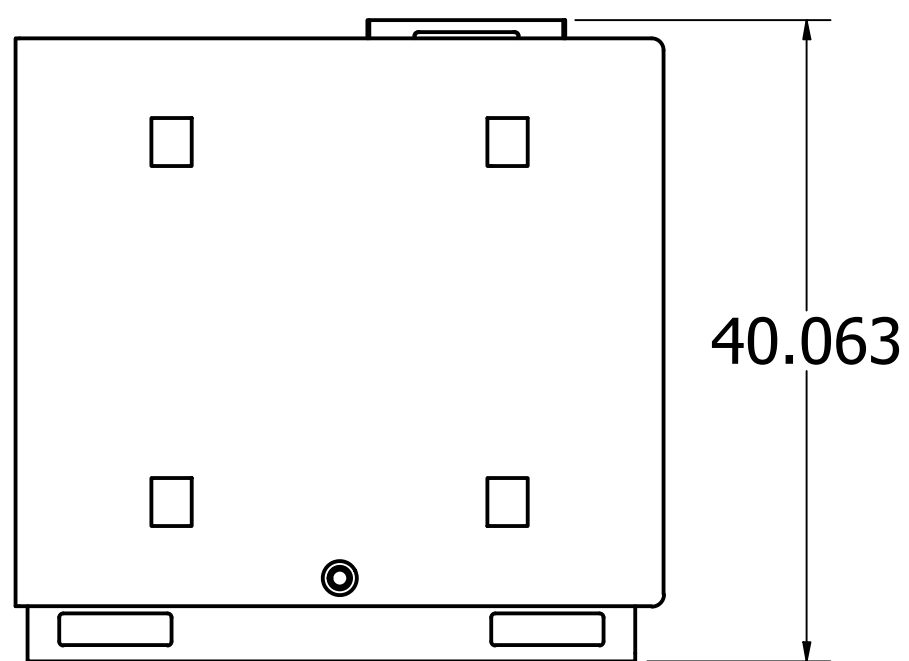
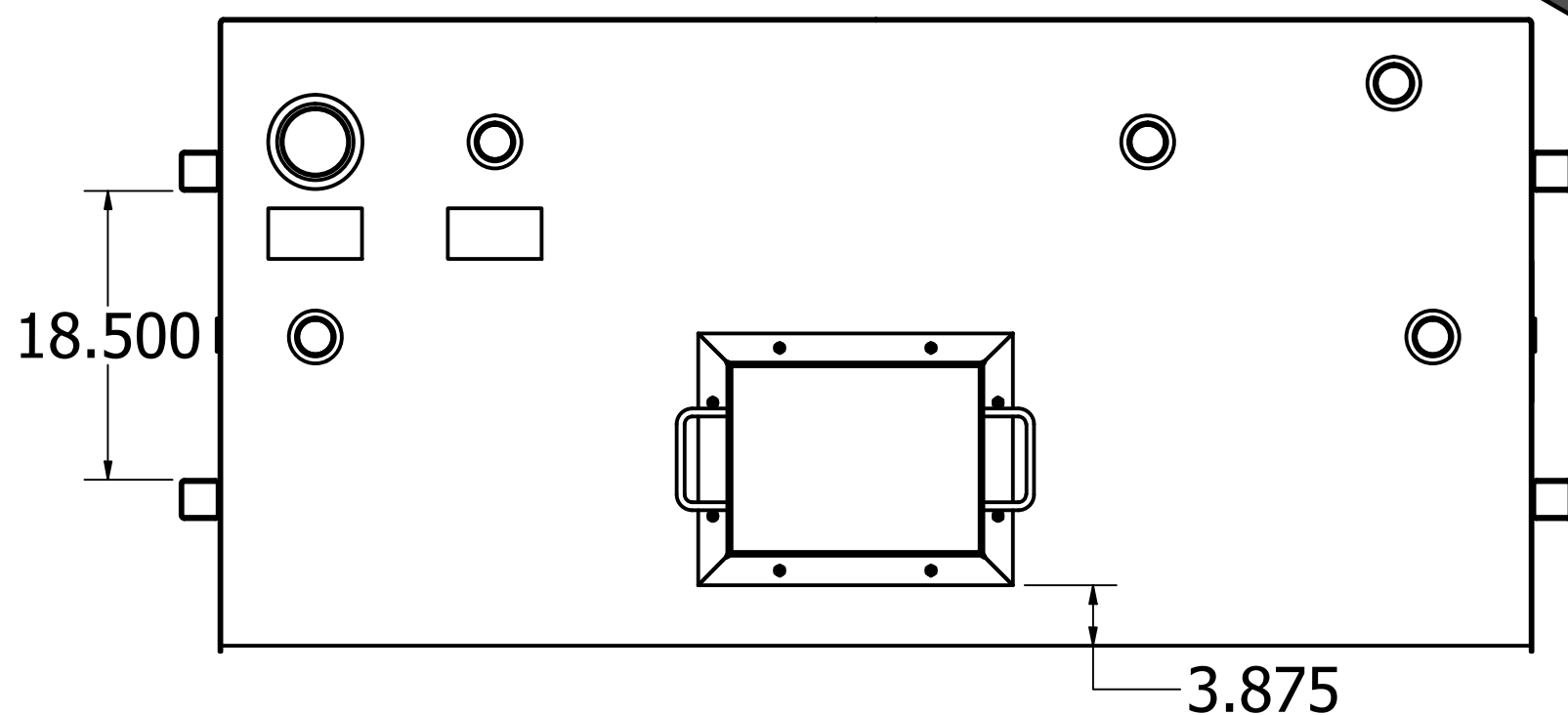
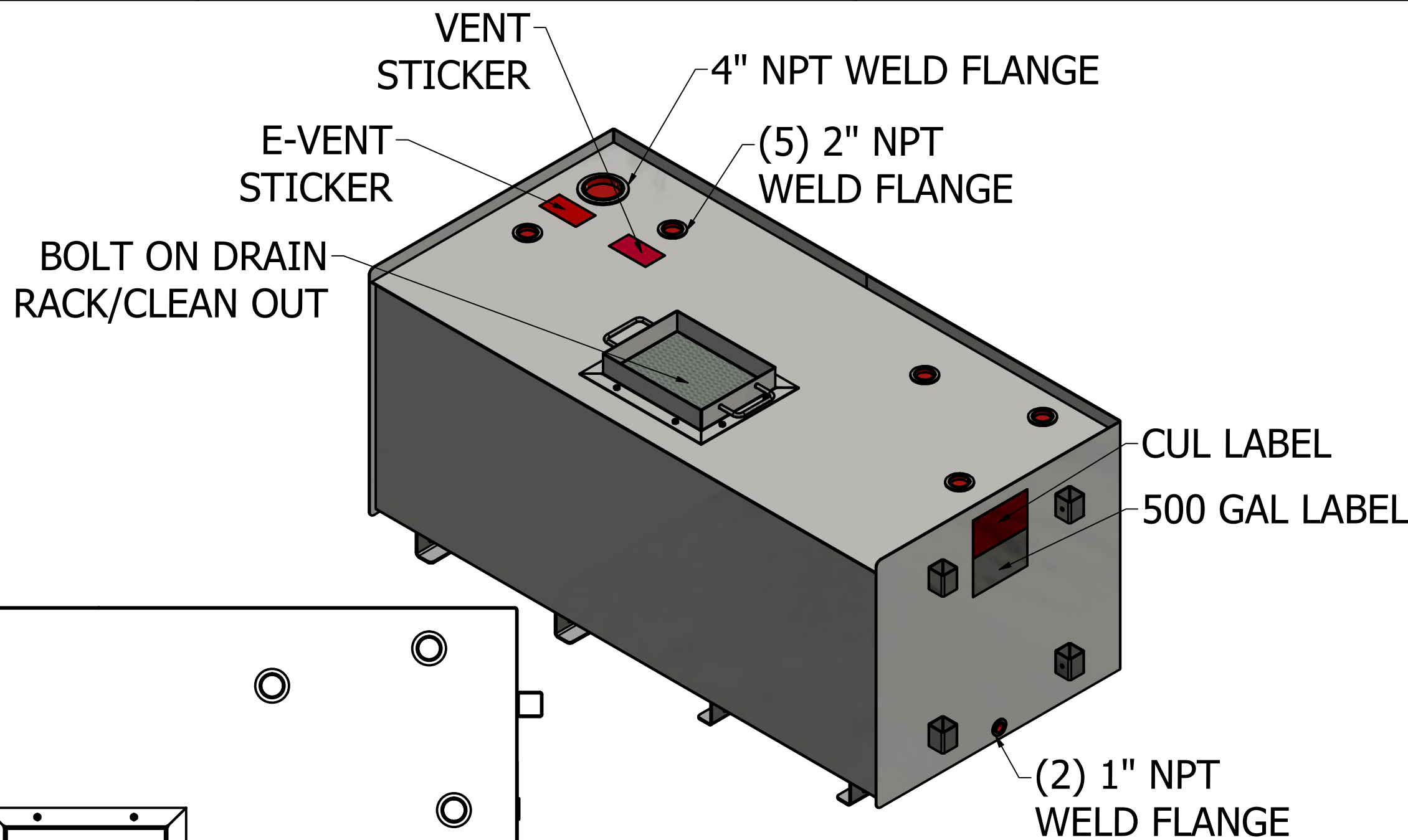


Wetted Surface Area - 79 SQ. FT.
 Venting Capacity - 84,200 CFH
 Gauge Length - 32"
 Min Vent Size - 4"
 Est Shipping Weight - 700 LBS



BREAK EDGES .01 ± .005 UNLESS OTHERWISE SPECIFIED MUST BE FREE OF BURRS WHICH MAY BE DETRIMENTAL TO SATISFACTORY ASSEMBLY, SAFE HANDLING, OR FUNCTION.

SURFACE SPECS. AS NOTED
 HEAT TREAT SPECS. AS NOTED
 GRIND SPECS. AS NOTED

MATERIAL DESCRIPTION:
 cULus 142 (Built & Labeled)
 500 Gallon/1893 Liters - Single Wall Tank
 Steel: ASTM A36
 Tank Material: 11Ga HR (.1196) Steel
 Coating: Exterior-Powder Coat
 Interior-Bare Steel Mineral Oil Coated

"This drawing is the property of Steinhaus Brothers Incorporated / SBI mfg and is loaned to the recipient for his confidential use only. In consideration of the loan of this drawing, the recipient promises and agrees that it shall not be used in any way detrimental to the interest of Steinhaus Brothers Incorporated / SBI mfg. That it shall be returned upon request, and that it shall not be reproduced, copied, loaned, or otherwise disposed of, directly or indirectly without the express written consent of Steinhaus Brothers Incorporated / SBI mfg."

FINISH UNLESS OTHERWISE NOTED:
 STOCK

MACHINING (in)	MACHINING (in)	FABRICATION (in)
0 - 5 ± 0.005	ANGLES ± 0.25°	0 - 5 ± 0.08
5 - 10 ± 0.02		5 - 100 ± 0.1
10 - 50 ± 0.04		over 100 ± 0.2
over 50 ± 0.06		

SBI MANUFACTURING
 47061 Phillip street
 Sioux Falls, SD 57108
 (605)-368-2340

PART NO./DESCRIPTION BTSW500CO		
SUBASSYMBLY NO./DESCRIPTION 500SW GALLON TANK WITH CLEAN OUT		
DATE 3/2/2020	DRAWN Matt K.	CHECKED
PRINT NO.	BTSW500CO	SCALE: 1/12