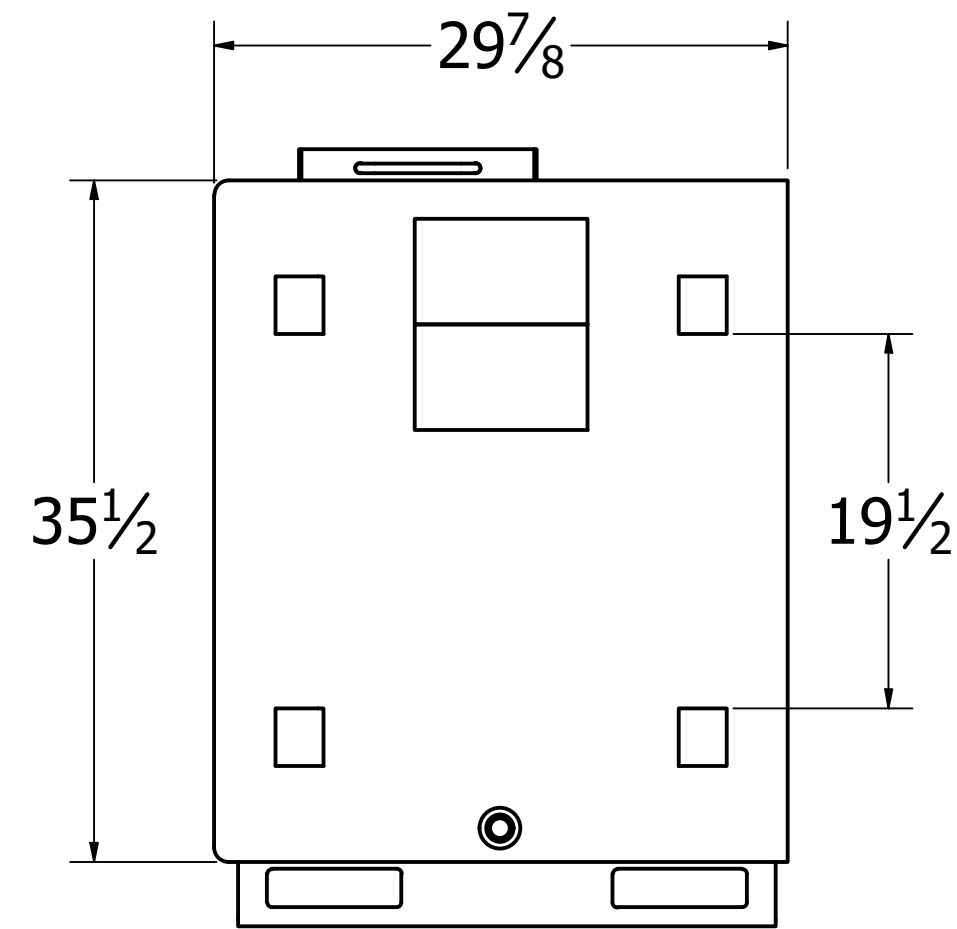
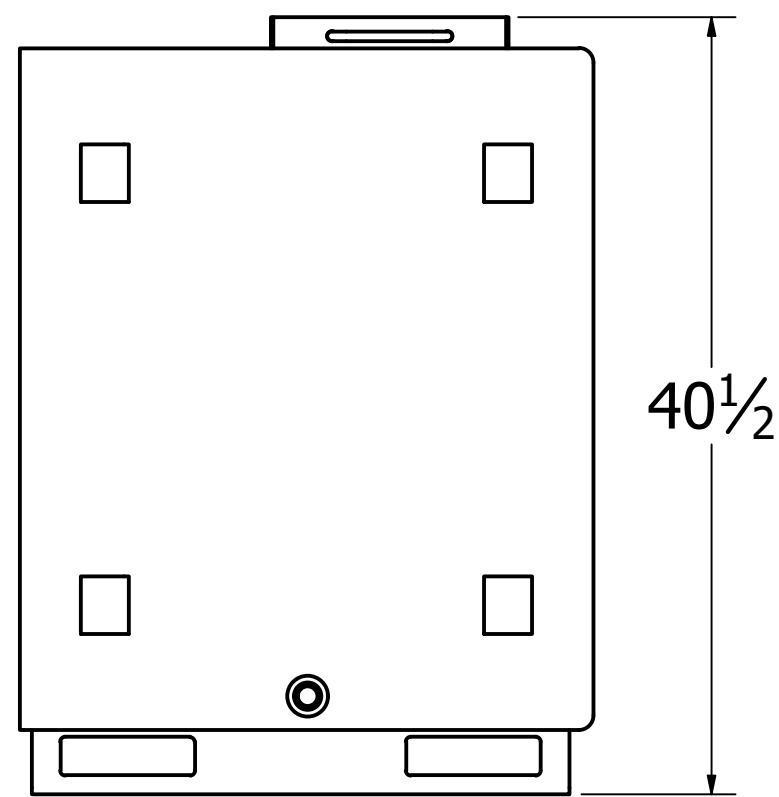
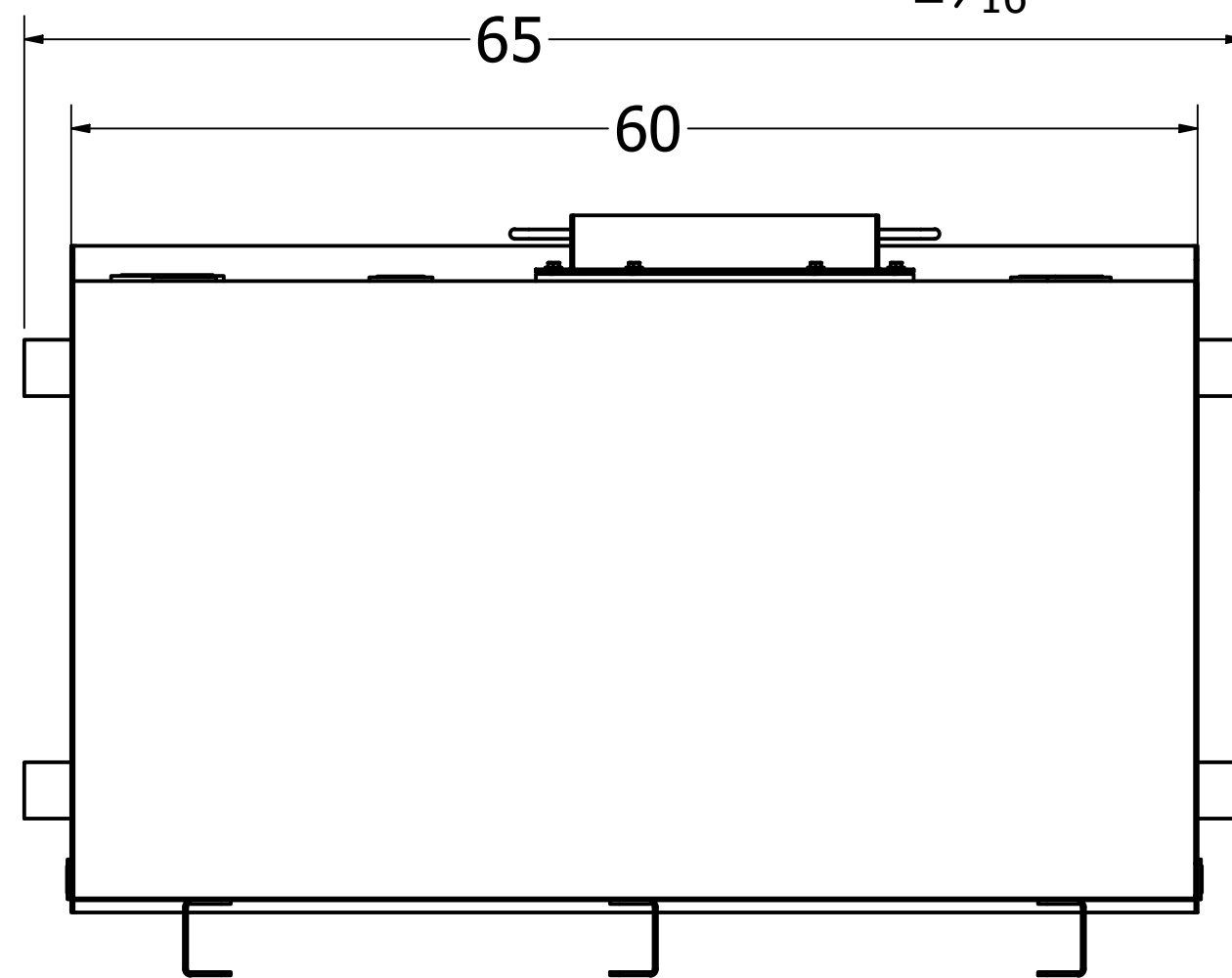
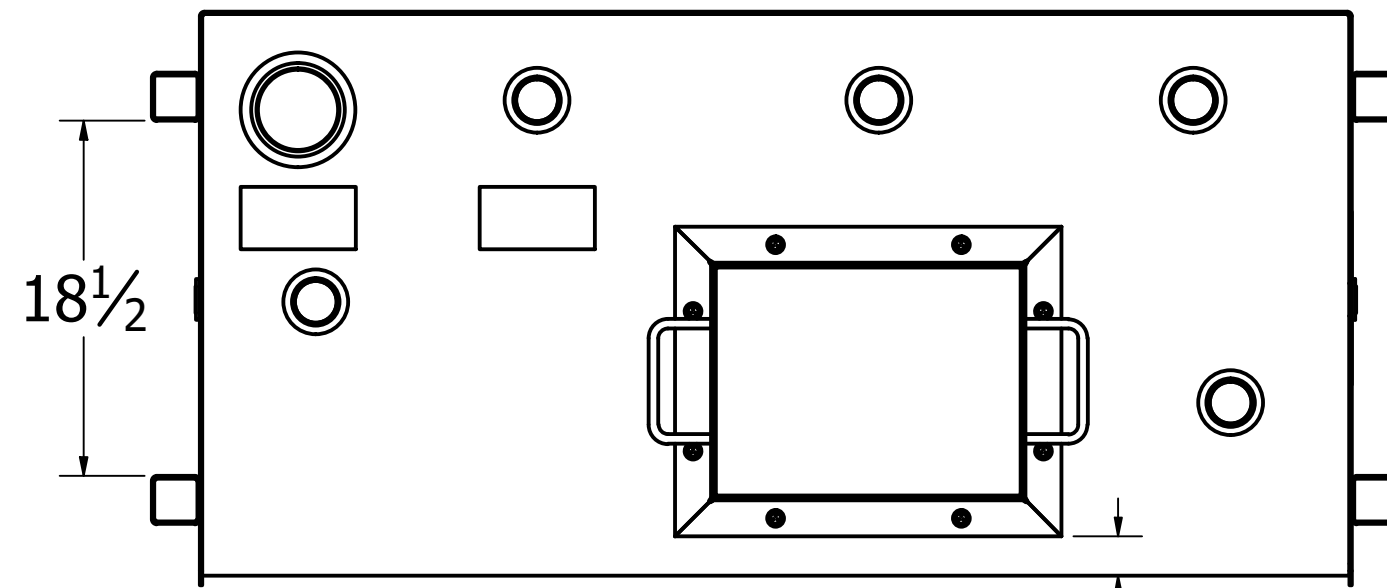
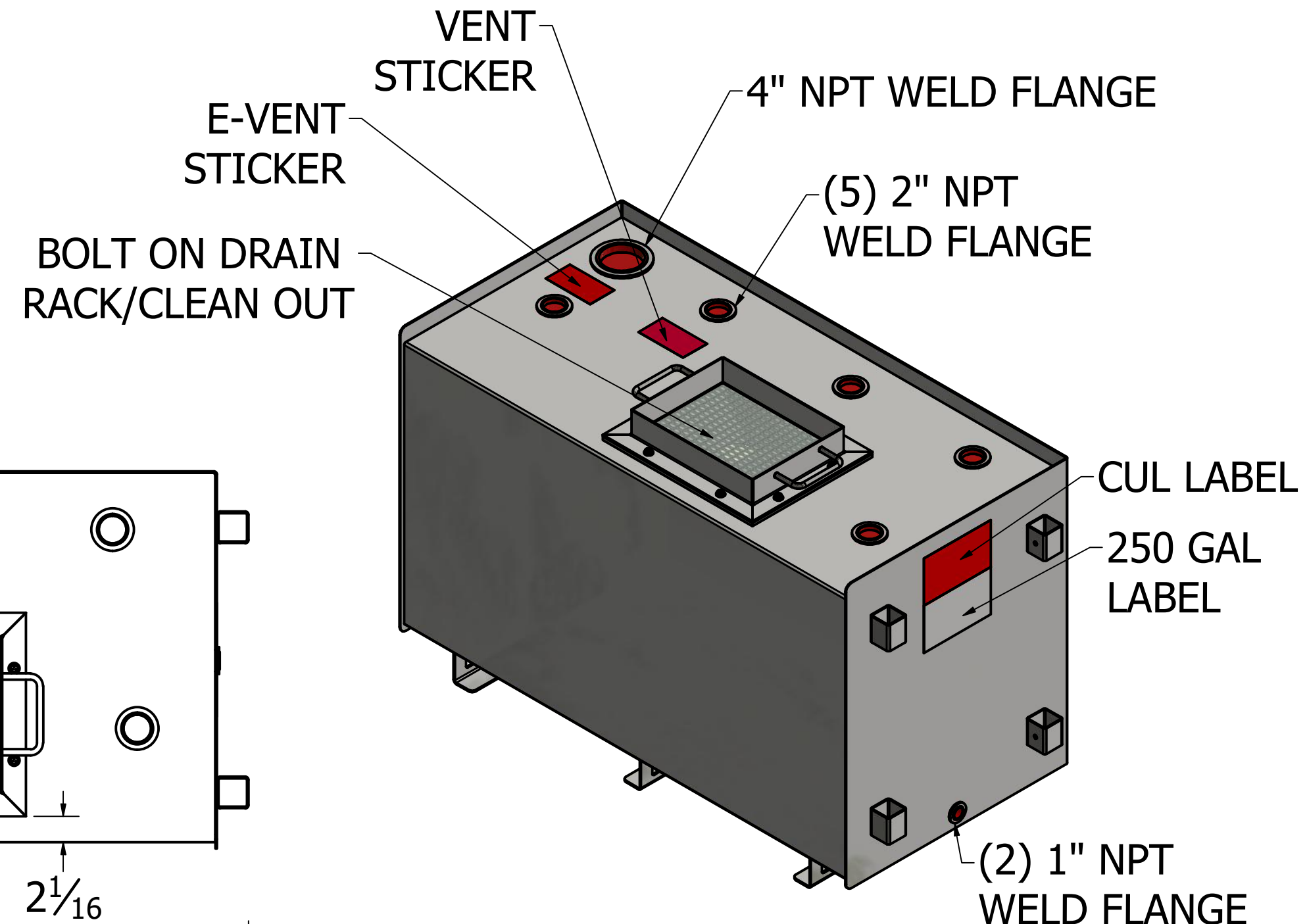


Wetted Surface Area - 56 SQ. FT.
 Venting Capacity - 63,200 CFH.
 Gauge Length - 32"
 Min Vent Size - 3"
 Est Shipping Weight - 434 LBS



BREAK EDGES .01 ± .005 UNLESS OTHERWISE SPECIFIED MUST BE FREE OF BURRS WHICH MAY BE DETRIMENTAL TO SATISFACTORY ASSEMBLY, SAFE HANDLING, OR FUNCTION.	
SURFACE SPECS.	AS NOTED
HEAT TREAT SPECS.	AS NOTED
GRIND SPECS.	AS NOTED

MATERIAL DESCRIPTION:
 cULus 142 (Built & Labeled)
 250 Gallon/947 Liters - Single Wall Tank
 Steel: ASTM A36
 Tank Material: 11Ga HR (.1196) Steel
 Coating: Exterior - Powder Coat Satin Black
 Interior - Bare Steel Mineral Oil Coated

"This drawing is the property of Steinhaus Brothers Incorporated / SBI mfg and is loaned to the recipient for his confidential use only. In consideration of the loan of this drawing, the recipient promises and agrees that it shall not be used in any way detrimental to the interest of Steinhaus Brothers Incorporated / SBI mfg. That it shall be returned upon request, and that it shall not be reproduced, copied, loaned, or otherwise disposed of, directly or indirectly without the express written consent of Steinhaus Brothers Incorporated / SBI mfg."

FINISH UNLESS OTHERWISE NOTED:
 STOCK

LIMITS UNLESS OTHERWISE NOTED:

FRACTIONS: ± 1/8
 DECIMALS: 0.0 ±.1
 0.00 ±.060
 0.000 ±.030
 0.0000 ±.005

ANGLES: ±1°

SBI MANUFACTURING 47061 Phillip street Sioux Falls, SD 57108 (605)-368-2340		
PART NO./DESCRIPTION BTSW250CO		
SUBASSYMBLY NO./DESCRIPTION 250SW GALLON TANK WITH CLEAN OUT		
DATE 11/20/2019	DRAWN Jared G.	CHECKED
PRINT NO. BTSW250CO	SCALE: 1/10	